

Stamped Steel Filter Silencers

FS Series 1/4" - 1"

Features

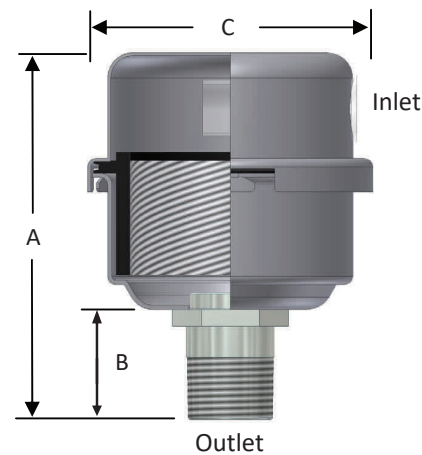
- High grade filter element with integrated gasket seal
- Fully drawn weatherhood
- Tubular silencing design: tube maximizes attenuation and air flow while minimizing pressure drop
- Corrosive resistant black powder coat carbon steel
- Ability to mount vertically and horizontally

Technical Specifications

- Temp (continuous): min -26°C (-15°F) max 104°C (220°F)
- Filter change out differential: 37-50 mbar over initial ΔP
- Polyester: 99%+ removal efficiency standard to 10 micron
- Paper: 99%+ removal efficiency standard to 2 micron
- Pressure drop graphs available upon request

Options

- Various media for different environments
- Straight through configuration
- Various nonstandard finishes and connection styles



MPT Outlet	Assembly m ³ /hr Rating	Assembly Part Number		Dimensions - mm			Suggested Service ht. mm	No. of Silencing Tubes	Approx. Weight (kg)	Replacement Element Part No.		Element m ³ /hr Rating
		Polyester	Paper	A	B	C				Polyester	Paper	
1/4"	7	FS-05-025	FS-04-025	70	17	64	25	1	0.11	05™	04™	14
3/8"	14	FS-05-038	FS-04-038	70	17	64	25	1	0.11	05™	04™	14
3/8"	14	FS-07-038	FS-06-038	91	17	81	35	1	0.23	07™	06™	20
1/2"	14	FS-05-050	FS-04-050	76	23	64	25	1	0.11	05™	04™	14
1/2"	20	FS-07-050	FS-06-050	96	23	81	35	1	0.23	07™	06™	20
1/2"	20	FS-11-050	FS-10-050	105	23	106	35	1	0.45	11™	10™	60
3/4"	20	FS-07-075	FS-06-075	105	31	81	35	1	0.23	07™	06™	20
3/4"	43	FS-11-075	FS-10-075	114	31	105	35	1	0.45	11™	10™	60
1"	60	FS-11-100	FS-10-100	114	31	105	35	1	0.45	11™	10™	60

Note: MPT threaded housings are interchangeable with BSPT up to 1".
See Filter Silencer Technical Data for sizing guidelines.

Rev: M202402C2

Stamped Steel Filter Silencers

FS Series 1/2" - 6", DN80 - DN150

Features

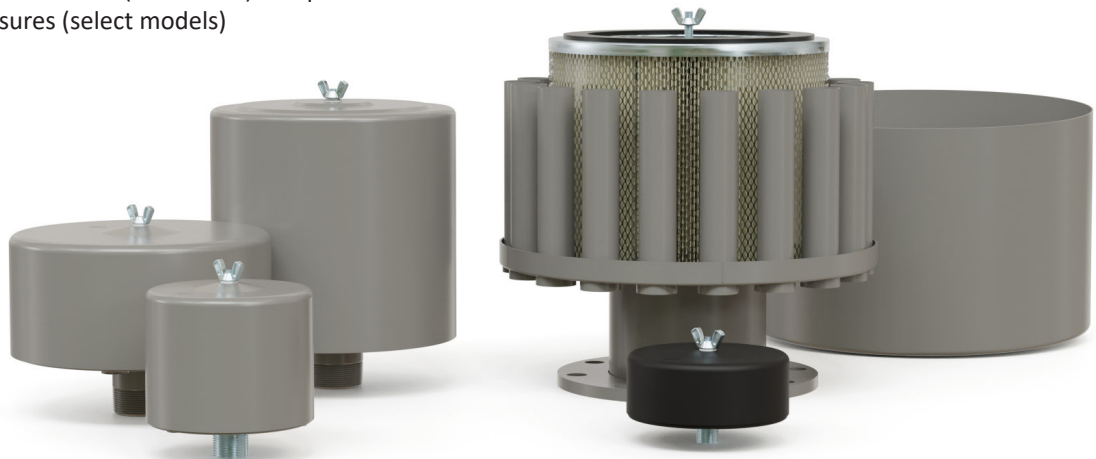
- Fully drawn weatherhood
- Tubular silencing design - tubes are positioned to maximize attenuation and air flow while minimizing pressure drop
- Corrosive resistant gray powder coat carbon steel

Technical Specifications

- Temp (continuous): min -26°C (-15°C) max 104°C (220°F)
- Filter change out differential: 37-50 mbar over initial ΔP
- Pressure drop graphs available upon request
- Polyester: 99%+ removal efficiency standard to 5 micron
- Paper: 99%+ removal efficiency standard to 2 micron

Options ATEX Available

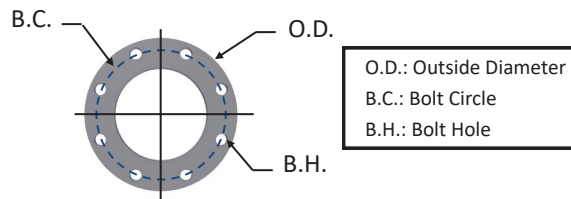
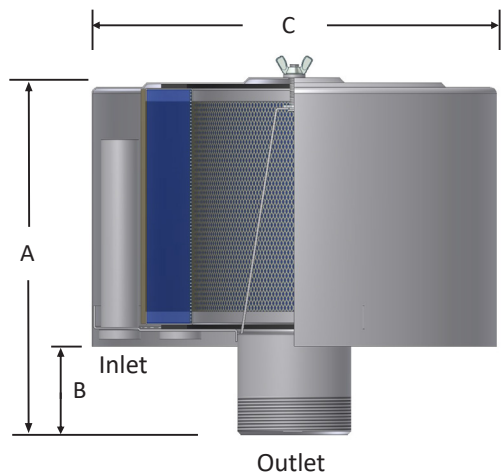
- Tap holes available
- Pressure drop indicator
- Various media for different environments
- Stainless steel construction
- Various nonstandard finishes and connection styles
- Side Access Silencer Filters (LQB Series) for space restricted enclosures (select models)



Rev: EU2402C2

www.solbergmfg.com

All model offerings and design parameters are subject to change without prior notice.
Contact your representative or visit www.solbergmfg.com for the most current information.



PN10 Pattern Flange	Dimensions - mm			No. of Holes	Flange Thickness mm
	O.D.	B.C.	B.H.		
DN80	200	160	18	8	20
DN100	220	180	18	8	22
DN125	250	210	18	8	22
DN150	285	240	22	8	24

Outlet Size	Type	Assembly m ³ /hr Rating	Assembly Part Number		Dimensions - mm			Suggested Service ht. mm	No. of Silencing Tubes	Approx. Weight (kg)	Replacement Element Part No.		Element m ³ /hr Rating
			Polyester	Paper	A	B	C				Polyester	Paper	
1/2"	MPT	17	FS-15-050	FS-14-050	87	24	155	59	1	0.8	15™	14™	60
3/4"	MPT	43	FS-15-075	FS-14-075	96	31	155	59	2	0.9	15™	14™	60
1"	MPT	60	FS-15-100	FS-14-100	96	31	155	59	3	0.9	15™	14™	60
1"	MPT	60	FS-15-100B	FS-14-100B	96	33	155	59	3	0.9	15™	14™	60
1"	MPT	94	FS-19P-100	FS-18P-100	162	31	155	121	3	1.4	19P®	18P™	170
1 1/4"	BSPT	119	FS-19P-126	FS-18P-126	171	41	155	121	5	1.5	19P®	18P™	170
1 1/2"	BSPT	145	FS-19P-151	FS-18P-151	171	41	155	121	5	1.6	19P®	18P™	170
1 1/2"	BSPT	145	FS-19P-151B	FS-18P-151B	171	41	155	121	5	1.6	19P®	18P™	170
2"	BSPT	230	FS-31P-201	FS-30P-201	190	57	262	121	5	3.5	31P™	30P™	332
2"	BSPT	230	FS-231P-201	FS-230P-201	304	51	260	241	5	6.3	231P™	230P™	510
2 1/2"	BSPT	332	FS-31P-251	FS-30P-251	196	64	262	121	5	3.7	31P™	30P™	332
2 1/2"	BSPT	332	FS-231P-251	FS-230P-251	314	64	260	241	9	6.5	231P™	230P™	510
3"	BSPT	510	FS-231P-301	FS-230P-301	323	76	260	241	9	6.8	231P™	230P™	510
3"	BSPT	510	FS(12)-235P-301	FS(12)-234P-301	324	76	311	244	3	13	235P™	234P™	970
3"	BSPT	510	FS-275P-301	FS-274P-301	335	76	406	244	9	15	275P™	274P™	1870
4"	BSPT	885	FS(12)-235P-401	FS(12)-234P-401	356	102	311	244	6	14	235P™	234P™	970
4"	BSPT	885	FS-275P-401	FS-274P-401	356	102	406	244	9	15	275P™	274P™	1870
5"	BSPT	1360	FS-245P-501	FS-244P-501	356	102	406	244	14	15	245P™	244P™	1500
5"	BSPT	1360	FS-275P-501	FS-274P-501	356	102	406	244	14	16	275P™	274P™	1870
6"	BSPT	1870	FS-275P-601	FS-274P-601	385	127	406	244	18	17	275P™	274P™	1870

Note: MPT threaded housings are interchangeable with BSPT up to 1".

Flange Outlet	Assembly m ³ /hr Rating	Assembly Part Number		Dimensions - mm			Suggested Service ht. mm	No. of Silencing Tubes	Approx. Weight (kg)	Replacement Element Part No.		Element m ³ /hr Rating
		Polyester	Paper	A	B	C				Polyester	Paper	
DN80	510	FS(12)-235P-DN80	FS(12)-234P-DN80	331	76	311	244	3	13	235P™	234P™	970
DN80	510	FS-275P-DN80	FS-274P-DN80	344	76	406	244	9	15	275P™	274P™	1870
DN100	885	FS(12)-235P-DN100	FS(12)-234P-DN100	356	102	311	244	6	14	235P™	234P™	970
DN100	885	FS-275P-DN100	FS-274P-DN100	369	111	406	244	9	18	275P™	274P™	1870
DN125	1360	FS-245P-DN125	FS-244P-DN125	369	111	406	244	14	17	245P™	244P™	1500
DN125	1360	FS-275P-DN125	FS-274P-DN125	369	111	406	244	14	18	275P™	274P™	1870
DN150	1870	FS-275P-DN150	FS-274P-DN150	395	137	406	244	18	19	275P™	274P™	1870

See Filter Silencer Technical Data for sizing guidelines.

Rev: EU2402C2



Big Boy Filter Silencers

FS Series DN200 - DN400

Features

- Tubular silencing design - tubes are positioned to maximize attenuation and air flow while minimizing pressure drop
- Corrosive resistant gray powder coat carbon steel
- Low pressure drop center bracket & outlet pipe design

Technical Specifications

- Temp (continuous): min -26°C (-15°F) max 104°C (220°F)
- Filter change out differential: 37-50 mbar over initial ΔP
- Pressure drop graphs available upon request
- Polyester: 99%+ removal efficiency standard to 5 micron
- Paper: 99%+ removal efficiency standard to 2 micron

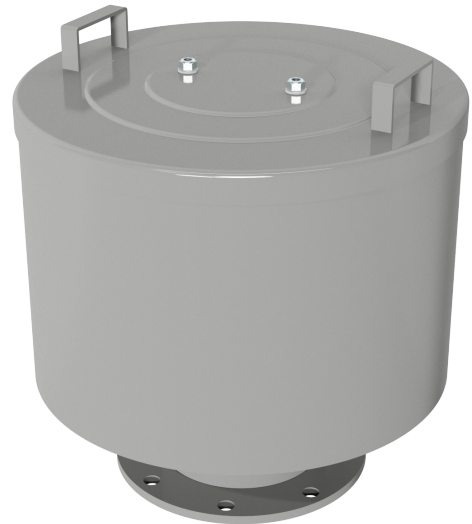
Options



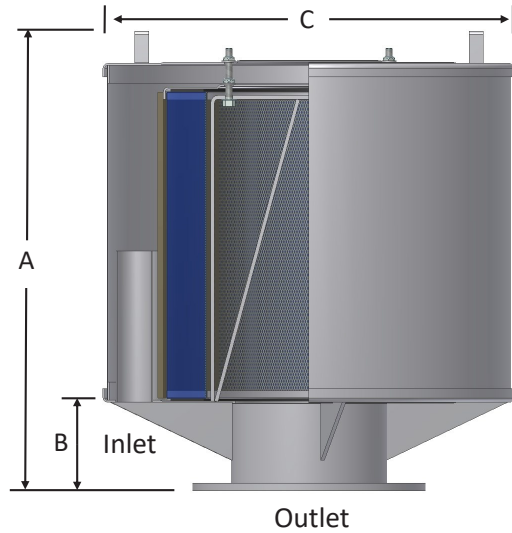
- Tap holes available
- Pressure drop indicator
- Various media for different environments
- Stainless steel construction
- Various nonstandard finishes and connection styles
- Side Access Silencer Filters (LQB Series) for space restricted enclosures (select models)

Sumo Class Features

- Single barrel filter design allows for large airflows in space restricted work areas
- DN350 to DN400 flange connections available
- Designed for airflows up to 13592 m³/hr



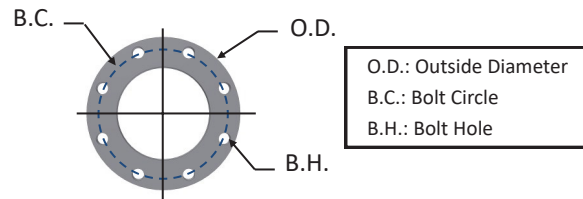
Rev: EU2402C2



Flange Outlet	Assembly m ³ /hr Rating	Assembly Part Number		Dimensions - mm			Suggested Service ht. mm	No. of Silencing Tubes	Approx. Weight (kg)	Replacement Element Part No.		Element m ³ /hr Rating
		Polyester	Paper	A	B	C				Polyester	Paper	
DN200	3060	FS-377P-DN200	FS-376P-DN200	618	162	556	368	12	54	377P™	376P™	3105
DN200	3060	FS-385P-DN200	FS-384P-DN200	610	152	719	368	12	56	385P™	384P™	5610
DN250	5610	FS-385P-DN250	FS-384P-DN250	610	152	719	368	16	59	385P™	384P™	5610
DN250	5610	FS-485P-DN250	FS-484P-DN250	800	152	719	546	16	64	485P™	484P™	8000
DN300	7990	FS-485P-DN300	FS-484P-DN300	799	154	719	546	24	70	485P™	484P™	8000
DN300	7990	FS-685P-DN300	FS-384P(2)-DN300	977	154	719	724	24	79	685P™	384P™ (2)	11220

Flange Outlet	Assembly m ³ /hr Rating	Assembly Part Number		Dimensions - mm			Suggested Service ht. mm	Replacement Element Part No.	
		Polyester	Paper	A	B	C		Polyester	Paper
DN350	9345	FS-391-DN350	FS-390-DN350	1038	152	1092	368	391	390
DN400	13592	FS-491-DN400	FS-490-DN400	809	152	1092	546	491	490

PN10 Pattern Flange	Dimensions - mm			No. of Holes	Flange Thickness mm
	O.D.	B.C.	B.H.		
DN200	340	295	22	8	24
DN250	395	350	22	12	26
DN300	445	400	22	12	26
DN350	505	460	22	16	28
DN400	565	515	26	16	32



O.D.: Outside Diameter
B.C.: Bolt Circle
B.H.: Bolt Hole

See Filter Silencer Technical Data for sizing guidelines.

Rev: EU2402C2



SOLBERG®

All model offerings and design parameters are subject to change without prior notice.
Contact your representative or visit www.solbergmfg.com for the most current information.